

MOTOR SPECIFICATION SHEET

MODEL : SF-Q 40HP 4P (LT)

USED FOR : STANDARD

DESCRIPTION	DETAIL			
PHASE	3			
MODEL NAME	SF-Q			
RATED OUTPUT, HP (kW)	40 (30)			
POLE	4			
CODE	MEATH CODE : 1M002F-403000Q-GD0			
OUTLINE DRAWING NO.	ONM34O305-D			
RATED VOLTAGE (V)	220	380	415	
RATED FREQUENCY (Hz)	50	50	50	
RATED CURRENT (A)	102.0	58.9	57.0	
RATED SPEED (min ⁻¹)	1465	1470	1475	
RATED EFFICIENCY (%)	90.7	90.7	90.7	
EFFICIENCY CLASS	IE1			
THERMAL CLASS	155(F)			
RATING	S1 (CONTINUOUS)			
ENCLOSURE CONSTRUCTION	TOTALLY ENCLOSED FAN COOLED			
DEGREES OF PROTECTION	IP55			
METHOD OF COOLING	IC411			
FRAME NO.	180L			
WEIGHT (kg)	231			
STANDARD	IEC 60034-1, IEC 60034-30-1			
INSTALLATION	FOOT MOUNTED			
ROTATION	CCW (VIEWED FROM SHAFT END)			
BEARING	LOAD SIDE : 6312ZZ			
	OPPOSITE SIDE : 6310ZZ			
BEARING GREASE	UREA GREASE			
NOISE (dB.A)	84			
VIBRATION	V15			
CIRCUMSTANCE CONDITION	AMBIENT TEMPERATURE : -20 ~ +40°C			
	AMBIENT HUMIDITY : 95%RH OR LESS			
	ABOVE SEA LEVEL : 1000m OR LESS			
	ENVIRONMENT : NO BURSTING/EROSIVE GAS OR VAPOR			
COLOR	MUNSELL N1.5 (BLACK)			
TERMINAL BOX	NO. OF LEAD WIRES : 6			
	SOURCE CONNECTION : LEAD WIRES			
SHAFT SWING	≤0.05mm			
MATERIAL	FRAME : CAST IRON			
	BRACKET : CAST IRON			
	SHAFT : CARBON STEEL			
	STATOR CORE : ELECTRICAL STEEL			
	WIRE : ENAMELLED COPPER MAGNET WIRE			
	ROTOR CORE : ELECTRICAL STEEL			
	CONDUCTOR : ALUMINIUM			
	TERMINAL BOX : STEEL PLATE			
	PAINTING : POLYURETHANE RESIN			
APPLIED ITEM	INSULATION REINFORCEMENT FOR INVERTER DRIVE			
PRODUCTION COUNTRY	THAILAND			

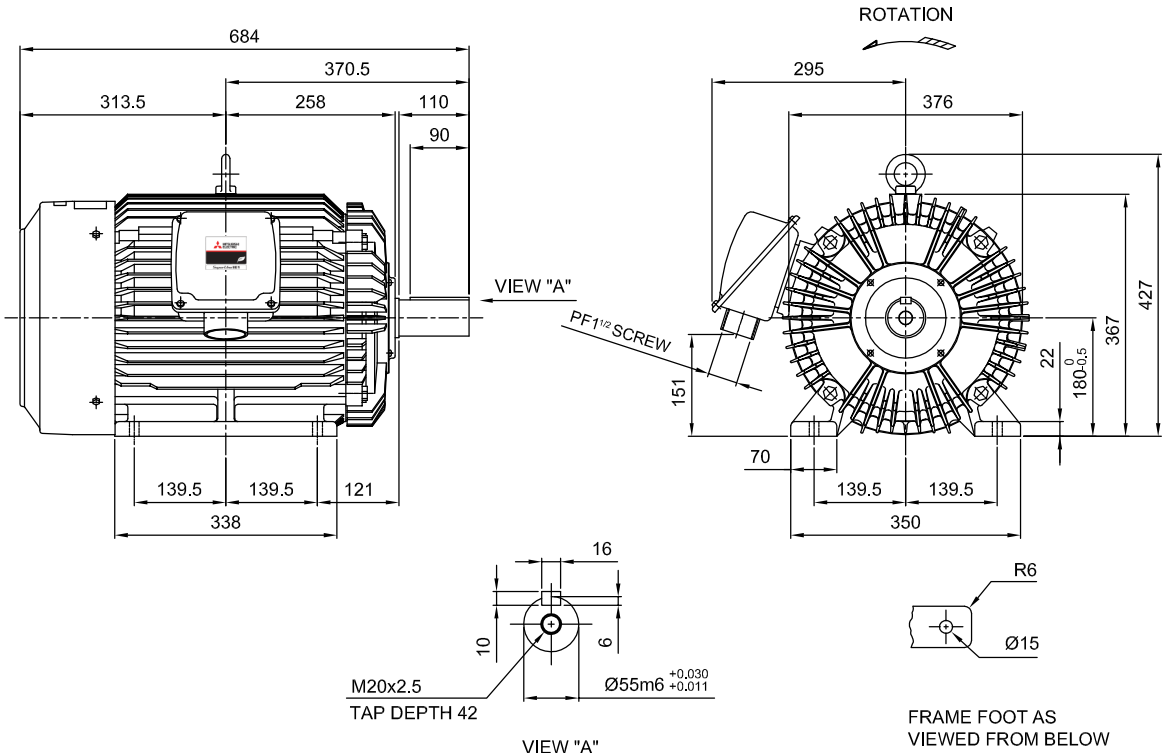
Specification subject to change without notice.

SPECIFICATION SHEET NO.				
SS-N-3193-B				

MODEL SF-Q THREE PHASE INDUCTION MOTOR OUTLINE DRAWING

TOTALLY ENCLOSED FAN COOLED
 DEGREES OF PROTECTION IP55
 DUST & WATER JET PROOF

CUSTOMER _____
 USER _____
 FOR _____
 CUSTOMER'S ORDER NO. _____
 QUANTITY _____
 MFG. ORDER NO. _____



YOUR ORDER	FRAME SIZE	RATING	TH. CLASS	AMB. TEMP.	BEARINGS			COLOR	DIRECTION OF ROTATION (VIEWED FROM SHAFT END)	NO. OF LEAD WIRES	REMARKS
					LOAD SIDE	OPP. SIDE					
	180L	S1 (CONT.)	155(F)	40°C	6312ZZC3 (2POLE)	6312ZZ (4,6POLE)	6310ZZ	BLACK (MUNSELL N1.5)	CCW	6	

YOUR ORDER	OUTPUT		POLES	VOLTS	HERTZ	AMP.	RPM	IE CODE-RATED EFF.	REMARKS
	HP	kW							
	40	30	2	380/415	50	57.1/53.5	2925/2945	IE1-90.7%/91.2%	HT
	40	30	4	380/415	50	58.9/56.2	1465/1470	IE1-90.7%/90.7%	HT
	25	18.5	6	380/415	50	39.0/37.8	975/980	IE1-88.6%/88.9%	HT
	30	22	6	380/415	50	45.8/43.5	970/975	IE1-89.2%/89.2%	HT
	40	30	2	220/380/415	50	99.4/57.4/54.2	2925/2925/2945	IE1-90.7%/90.7%/91.0%	LT
	40	30	4	220/380/415	50	102.0/58.9/57.0	1465/1470/1475	IE1-90.7%/90.7%/90.7%	LT
	25	18.5	6	220/380/415	50	68.4/39.5/38.7	975/975/980	IE1-88.6%/88.6%/88.9%	LT
	30	22	6	220/380/415	50	79.8/46.1/43.9	970/970/975	IE1-89.2%/89.2%/89.2%	LT

MITSUBISHI ELECTRIC AUTOMATION (THAILAND) CO., LTD.

	DIMENSION IN mm. SCALE : NTS	OUTLINE DRAWING NO.	REV.
		O N M 3 4 0 3 0 5 D	